

Technical data sheet

Product features



Cooking range gas 1 zone

Model	SAP Code	00013582
--------------	-----------------	----------



- Device type: Gas unit
- Power consumption of the zone 1 [kW]: 10
- Ignition: Eternal flame
- Material: Stainless steel

SAP Code	00013582	Net Weight [kg]	19.00
Net Width [mm]	400	Power gas [kW]	10.000
Net Depth [mm]	400	Number of zones	1
Net Height [mm]	140	Power consumption of the zone 1 [kW]	10

Technical data sheet

Technical drawing

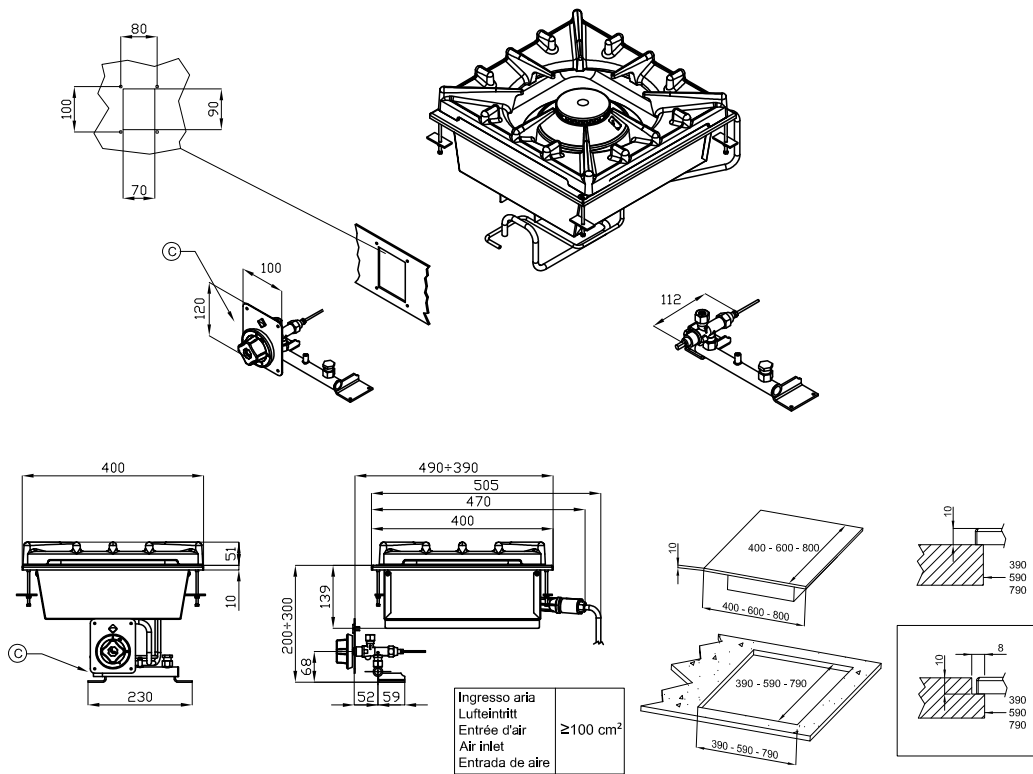


Cooking range gas 1 zone

Model

SAP Code

00013582



A	Data plate	C	Gas connection	ISO 7-1 1/2" M
---	------------	---	----------------	----------------

Technical data sheet

Technical parameters



Cooking range gas 1 zone

Model

SAP Code

00013582

1. SAP Code:

00013582

2. Net Width [mm]:

400

3. Net Depth [mm]:

400

4. Net Height [mm]:

140

5. Net Weight [kg]:

19.00

6. Gross Width [mm]:

470

7. Gross depth [mm]:

700

8. Gross Height [mm]:

530

9. Gross Weight [kg]:

23.00

10. Device type:

Gas unit

11. Construction type of device:

Drop-in

12. Power gas [kW]:

10.000

13. Ignition:

Eternal flame

14. Material:

Stainless steel

15. Number of zones:

1

16. Power consumption of the zone 1 [kW]:

10

17. Power control type:

knob control

18. Additional information:

Burner grate: 390 x 360 mm

19. Number of burners/hot plates:

1